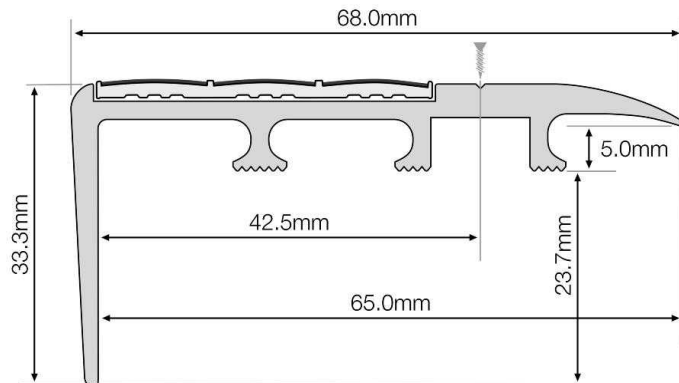


C4-170 Carpet Nosing

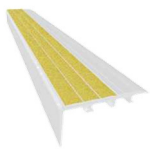


C4-170 Step Nosing

The C4-170 Carpet Nosing is designed to clearly define the carpeted step edge and reduce slips and falls in all egress situations.

The C4-170 has a 37.3mm insert of hard wearing slip resistant silicon carbide.

The aluminium step nosing is fitted onto the edge of carpeted steps to create an aesthetically pleasing edge.



C4-150
Yellow slip resistant silicon carbide



C4-160
Grey slip resistant silicon carbide