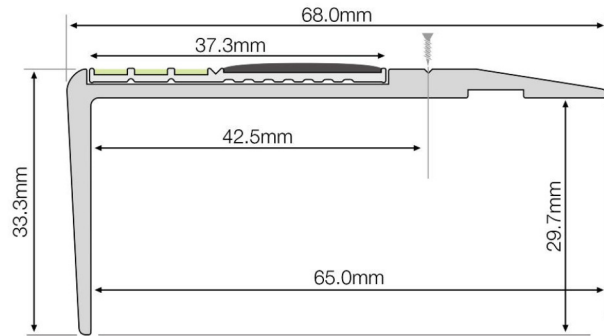
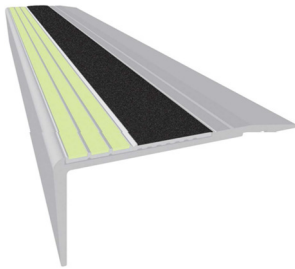


F4-171 Flat Nosing



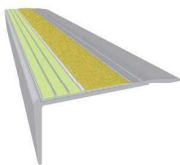
F4-171 Step Nosing

The F4-171 is designed to create a highly visible step edge to reduce falls and enhance speed in all situations whether light, dark or dimly lit. The right-angled aluminium step nosing is fitted onto the edge of the step to create an aesthetically pleasing edge.

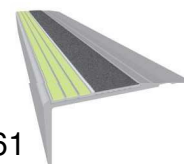
The 16mm photoluminescent strip is visible for many hours after the lights go out, having been charged from sunlight or artificial light.

The F4-171 also has a 21.3mm hard wearing slip resistant silicon carbide strip.

The F4-171 can be used on a range of substrates such as concrete, timber, tiles, vinyl, steel and checker plate. Installation is a simple process using fixers (supplied) and glue. It can also be fitted over steps with an industrial or commercial type carpet (with no underlay) and up to 6mm thick.



F4-151
Yellow slip resistant silicon carbide
+ Photoluminescent Strip



F4-161
Grey slip resistant silicon carbide
+ Photoluminescent Strip