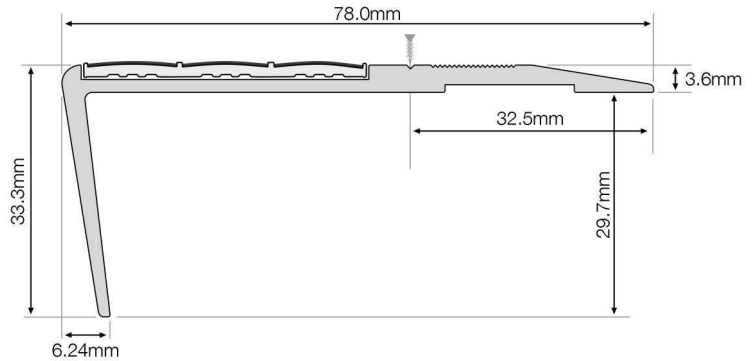


# F6-170 Flat Nosing



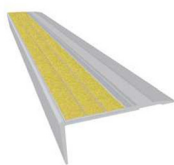
## F6-170 Step Nosing

The F6-170 is a right-angled aluminium step nosing for fitting to the edge of steps to reduce slips and falls and enhance speed of movement in all weather conditions.

The F6-170 has a 37.3mm insert of hard wearing slip resistant silicon carbide.

The F6-170 can be used on a range of substrates such as concrete, timber, tiles, vinyl, steel and checker plate. Installation is a simple process using fixers (supplied) and glue.

It can also be fitted over steps with an industrial or commercial type carpet (with no underlay) and up to 6mm thick.



F6-150  
Yellow slip resistant silicon carbide



F6-160  
Grey slip resistant silicon carbide